



For All Your 3A Sanitary Needs

Alfa Laval Series 8000 3A Bubble Sprays - For All Duct Cleaning Needs

These static spray devices are designed to be an integral part of your cleaning program. Designed to meet rigid 3A sanitary requirements, these spray devices also allow for quick accessibility during inspection. The devices can be used at either high or low solution flows and pressures allowing for decreased costs in relation to water, energy, chemical and effluent charges.

Applications

The BS1 TC115 is designed for cleaning horizontal or vertical sloping duct work or large diameter tubing.

Options

- A variety of other flows and pressures available including directed spray patterns
- Other finishes available

Finish

Sanitary 150 grit finished (32 Ra)

Specifications

Available Materials

- Type 304L SS (Std)
- Type 316L SS (optional)

Recommended Pressure

25 psi @ 7.5 gpm

Supply Connection

- 1 1/2" Tri-Clamp

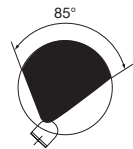
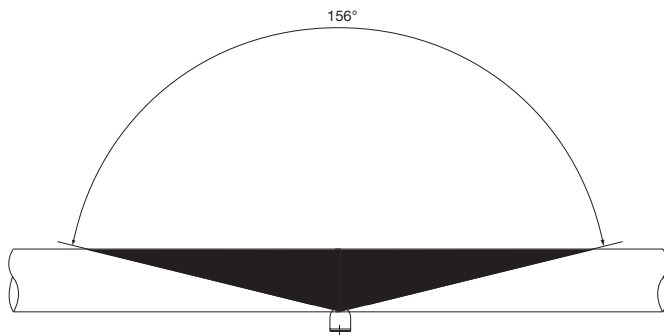
Weld Connection

- 2"



Ordering Information

TEEC BS1 TC115 Material




ESE00369ENUS 0705

The information contained herein is correct at the time of issue, but may be subject to change without prior notice.

How to contact Alfa Laval

Contact details for all countries are continually updated on our website. Please visit www.alfalaval.com to access the information direct.

 Authorized to carry the 3A symbol